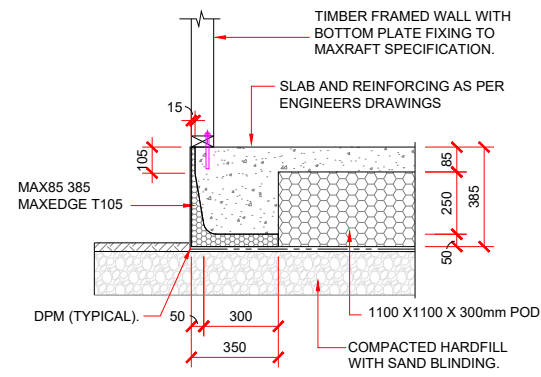
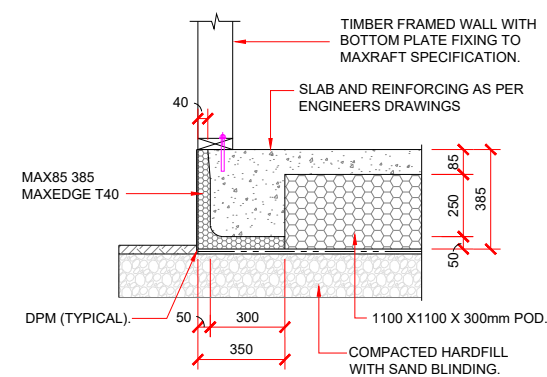


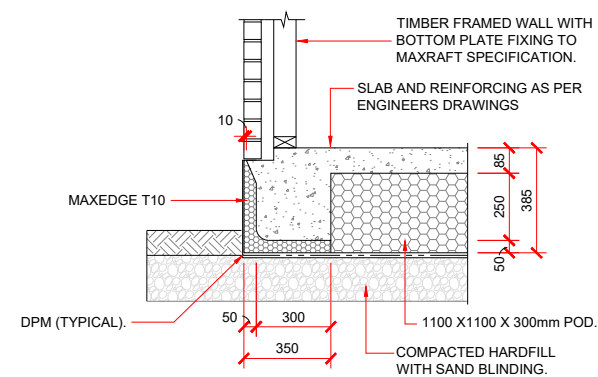
85mm CONCRETE + 300mm PODS



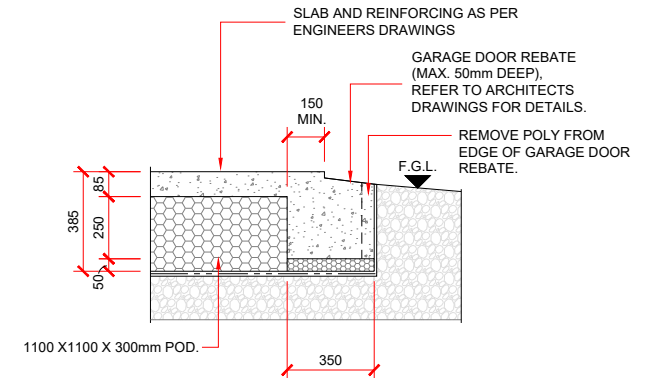
EXTERNAL FOOTING DETAIL  
MAXEDGE T105 - 90mm FRAMING



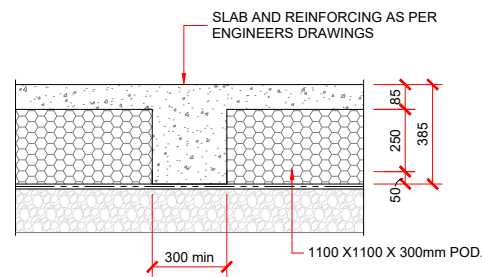
EXTERNAL FOOTING DETAIL  
MAXEDGE T40 - 140mm FRAMING



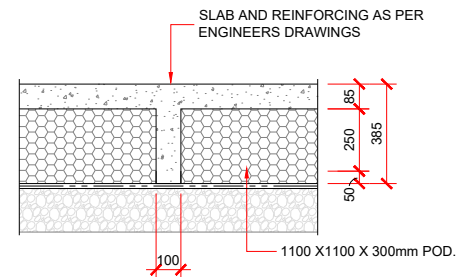
BRICK / STONE VENEER  
REBATE DETAIL



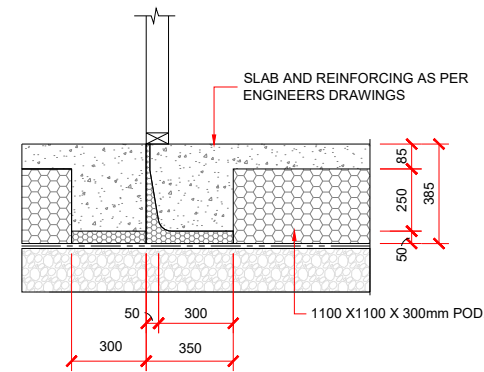
GARAGE DOOR REBATE DETAIL



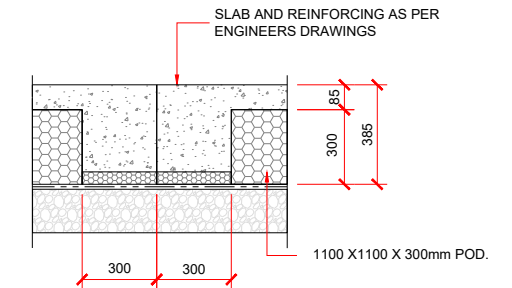
INTERNAL FOOTING DETAIL



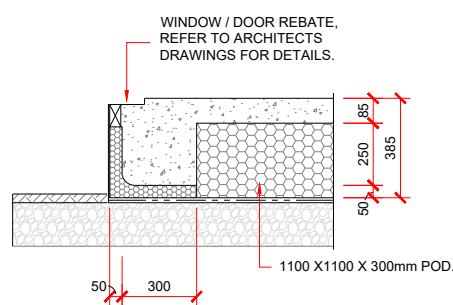
INTERNAL RIB DETAIL



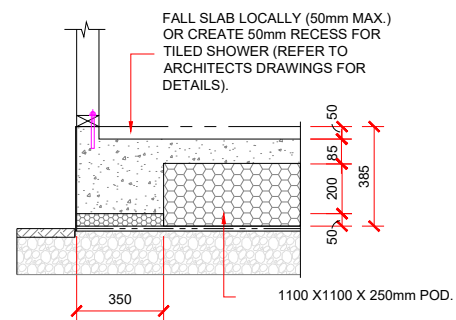
THERMAL BREAK



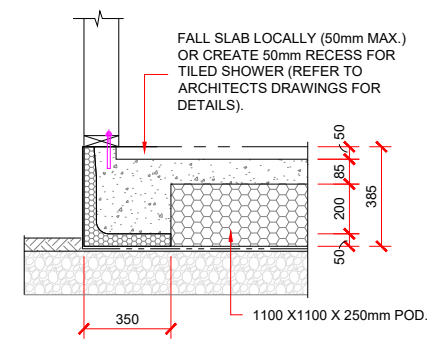
FREE JOINT / CONTROL JOINT DETAIL



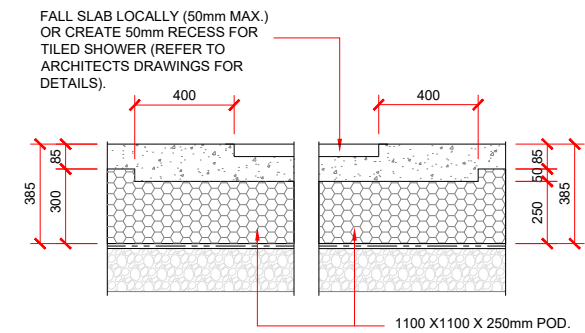
JOINERY REBATE DETAIL



SHOWER RECESS DETAIL - 90mm FRAMING.



SHOWER RECESS DETAIL - 140mm FRAMING.



SHOWER RECESS DETAIL.

MAX85 385mm

DATE : 19/1/2024